



■■■ DEKO-25 washer-disinfector

FRANKE

Hospital
Laboratory

■ Technology

■ Quality

■ Design

■■■ **Deko-25** is a microprocessor controlled washer-thermal disinfecter for professional use in all medical, dental, pharmaceutical and veterinary establishments, where the space is limited and compact efficiency needed.

■■■ Deko-25 includes the features of large cabinet washer-disinfectors in a small scale. It operates with recirculated fresh hot and cold water and has all the necessary protection valves and connections ready for installation.



①
Basic dental set



②

■■■ **Control**
A microprocessor provides the selection of 5 different programs by a push of a button. Wash water temperature can be adjusted to enable the cleaning of surgical instruments, rubber and plastic goods, as well as glassware. The disinfection temperature and time are being programmed in accordance with the existing standards and can be regulated by using special codes. The machine can be placed on a table or on a cabinet or support legs, which are optional extras.

■■■ **Construction**
Deko-25 has two rotating wash arms and an automatic connection for spray racks injecting water inside cannulated instruments, hoses and bottle type glassware. Design of the demountable wash arms secures a complete contact with all parts of the load and the wash chamber and allows easy cleaning of the spray holes. Dosage of liquid detergent is carried out automatically by means of a pump and can easily be regulated for agents with varying concentration. Extra detergent pump, wetting agent pump and distilled water feed are available as options.

■■■ **Features**

- 5 variable programs
- 2 rotating wash arms
- base wire basket, code 381250
- automatic connection valve for spray racks
- wash water temperature adjustment
- digital thermometer
- automatic detergent dosage
- program phase indicators
- door safety interlock
- hot and cold water connections
- outlet pump
- over-temperature cut-out
- overflow protection
- condenser
- fault indicator and code system
- sound and heat insulation

■■■ **Dental**
Basic dental accessories example:

- base basket, code 381250, included in price as standard

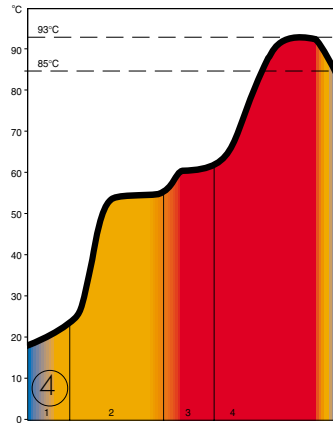
Accessories:

- wire basket and a lid, codes 381220/221
- tray rack 340x200x160 mm, for 8 pcs trays, code 381636
- fine mesh box with a lid for the washing of eg. needles and bore bits, 90x90x40 mm, code 381230
- wire basket 250x100x70 mm, code 381235

■■■ Operation panel

1. main switch
2. function indicators
3. program selection and start buttons.

 washing water temp. adjustment buttons.
4. digital thermometer, program & phase display, service code indication.



■■■ Program example

1. cold water rinse
 2. circulation wash with detergent
 3. warm water rinse
 4. disinfection
 $> 85^{\circ}\text{C} / 1, 2, 5, 10$
 minutes... $93^{\circ}\text{C} / 10$
 minutes.
- Total time appr. 20 minutes.

■■■ Accessories



⑤



⑥



⑦



⑧



⑨

5. code 381210 Wire basket
 340x250x70 mm,
 code 381211 Basket lid 340x250 mm,
 code 381220 Wire basket
 250x170x70 mm,
 code 381221 Basket lid 250x170 mm,
 6. code 381212 Inner basket
 330x220x50 mm,
 code 381213 Lid,
 code 381222 Inner basket
 240x160x50 mm,

- code 381223 Lid,
 7. code 381170 Utensil basket,
 340x250x200 mm
 includes lid.
 8. code 381635 Dental tray rack,
 9. code 381225 Wire basket with
 end plates
 250x170x70 mm,
 code 381214 Support for 2
 baskets,



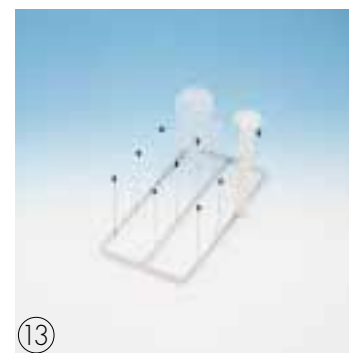
⑩



⑪



⑫



⑬



⑭

10. code 381325 Spray tube rack, incl. 381212/213,
 11. code 381218 Insert for mirrors 370x185x110 mm,
 12. code 381685 Bowl rack, (left), 6 bowls,
 code 381637 Tray rack, (right), 9 trays,
 13. code 381525 Peg rack,
 14. code 381260 Mesh basket 370x370x50 mm
 code 381536 Lid

■■■ Accessories



15

15. code 381475 Half circle wire basket, incl. a lid and separation grid, dia 375 mm, H 140 mm.
code 374085 Lab base shelf.



16



17



18

16. code 381560 Spray tube rack for bottles. 370x370 mm. Height of spray tubes 150 and 100 mm - 30 pcs totally.
17. code 381540 Microscope slides rack.
18. code 381551 Culture dish rack and a pressure lid.



19

19. code 374225 Cabinet 470x600x570 mm.
20. code 374226 leg support 470x600x570 mm.

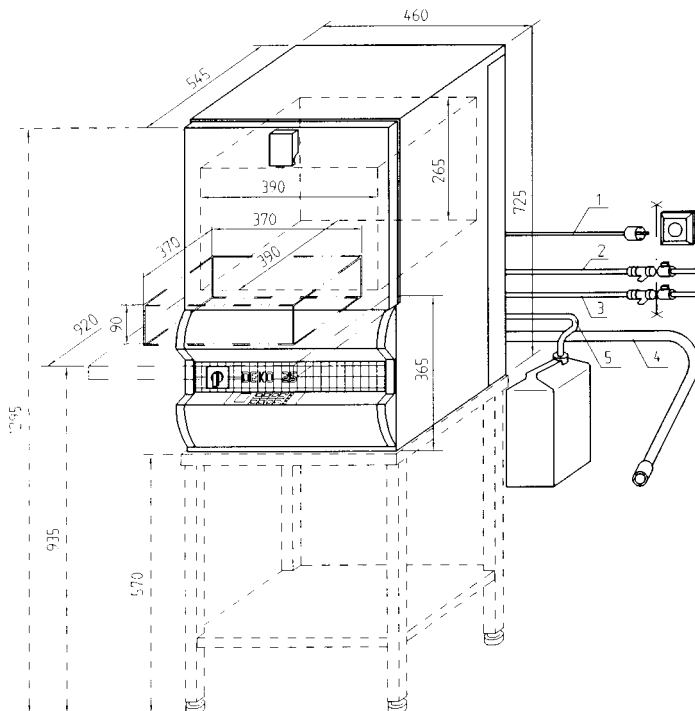


20

■■■ Dimensional drawing

■■■ Connections

1. Electricity
230V 1N 50Hz 3,5 kW, 15A, or 3 kW, 13A
2. Cold water, R 1/2", L=1,5 m
3. Warm water, R 1/2", L=1,5 m
4. Outlet, 20 mm, L=2 m
5. Detergent hose



CE-marked.
Tested and approved in accordance with:
- SPRI 74201, 74202, 74203

■■■ Technical data

Heating power	3 kW, or 2,5 kW
Circulation pump	0,5 kW, 260 l/min
Outlet pump	0,08 kW, 80 l/min
Water consumption, appr.	23 l/cycle
Energy consumption, appr.	0,6 kWh/cycle
Min/max water pressure	1/8 bar.
Water flow	0,2 l/sec
Heat transmission	250 W
Net weight	50 kgs.

Subject to changes without further notice.